

The DSP_FULL HD IP Card

This is a new-generating SoC designed for the Full HD IP Card.

The User want to change for program Spec.

Features

- ARM Cortex A9(up to 800Mhz)
- JPG Merge Function
- Protocol Function(User Define)
- HD-SDI Input (Port 1)
- HD-SDI Output (Port 2)
- Resolution 1920x1080(FULL HD)
- Fps Max 45
- UART 1 Debug, 1x User Define

General Information

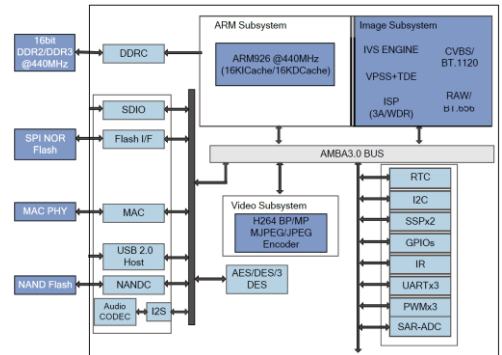
- **Video Encoding Performance**
Real-time H,264 & JPEG encoding of multiple streams
- **Video and Graphics Processing**
Hardware graphics overlaying for videos at the video layer and graphics layer 1 during post-processing
- **Video Interfaces**
HD-SDI (input/output)

Ordering Information

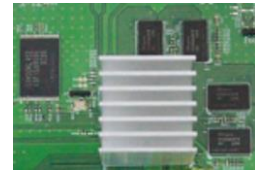
- DSP_FULLHD-1 : Input 1/Output 1 Channel
- DSP_FULLHD-2 : Input 1/Output 2 Channel
- DSP_FULLHD-4 : Input 4 / Output 1 Record

Contact

TEL : +82-70-7150-3240, E-Mail : sales@sungjindsp.com



Soc, DDR, Flash meomry



HDMI Monitoring



Ethernet (10/100/1000M)



Environment Information

- Ambient temperature range
-20 °c ~ 70 °c
- Linux 3.4-base SDK